

Post Concerned

表示	Confidential document	原紙保管	年 月 日
		コピー保管	年 月 日

C&A開発部		ボディ設計部		TEL2-2937
承認	作成	承認	作成 (シム設計/内装設計)	No.PNB-104
				'07.12.25

Regarding Acc pedal /Carpet * Accessory Mat

As prevention of malfunction recurrence of the title, we decided it as follows,
Please give a response .

1. Correspondence of C&A

- (1) C&A designs the rubber mat and unify it with all DBs.
- (2) Put the accessory mat on PCV.
- (3) C&A takes inspection, too.
- (4) C&A replies it with Mat specifications at the time of Genzu.

2. Correspondence of Body Engineering

- (1) Secure 10mm gap between Acc Pedal and floor mat
- (2) Body Engineering issues requirement at the time SE Genzu ,
_____ and Genzu.

(Reference1) < The correspondence that we decided so far >

- (1) Set two Retention Holes in a driver's seat.
- (2) Mention prohibition on the O/M not install Rubber Mat on the Floor Carpet.
- (3) Add warning Tag : Don't install Rubber Mat on the Floor Mat/Embossing on the Rubber Mat.

「紙を節約しましょう」

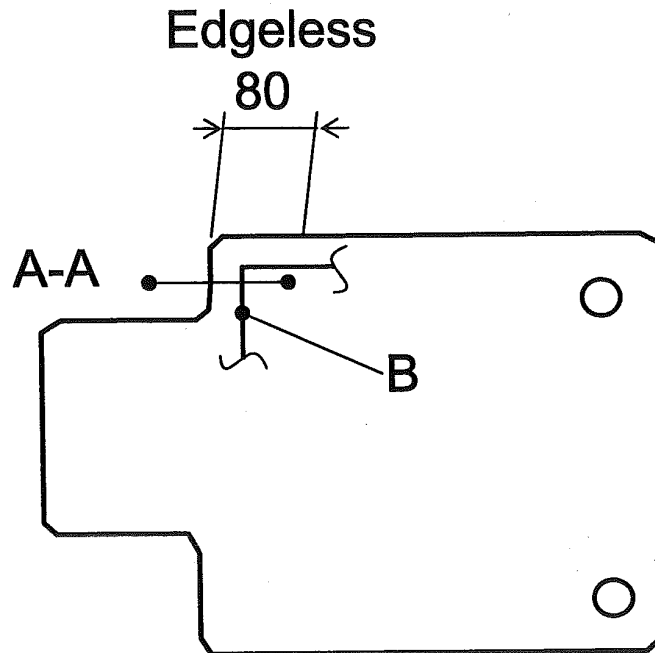
TOYOTA MOTOR CORPORATION

TOY-TQ001-0000052

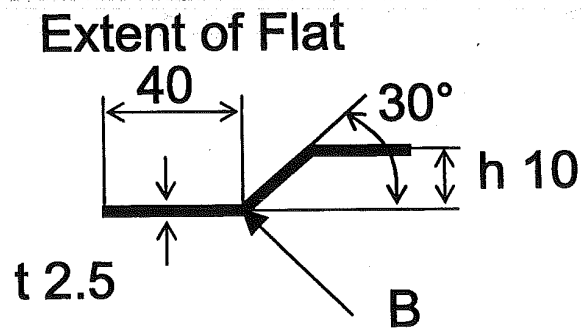
1. Correspondence of the Accessory mat

(1) Shape of Rubber Mat

< Shape >



sec A-A



< Hardness >

50 or less

(Reference) < Carpet Mat >

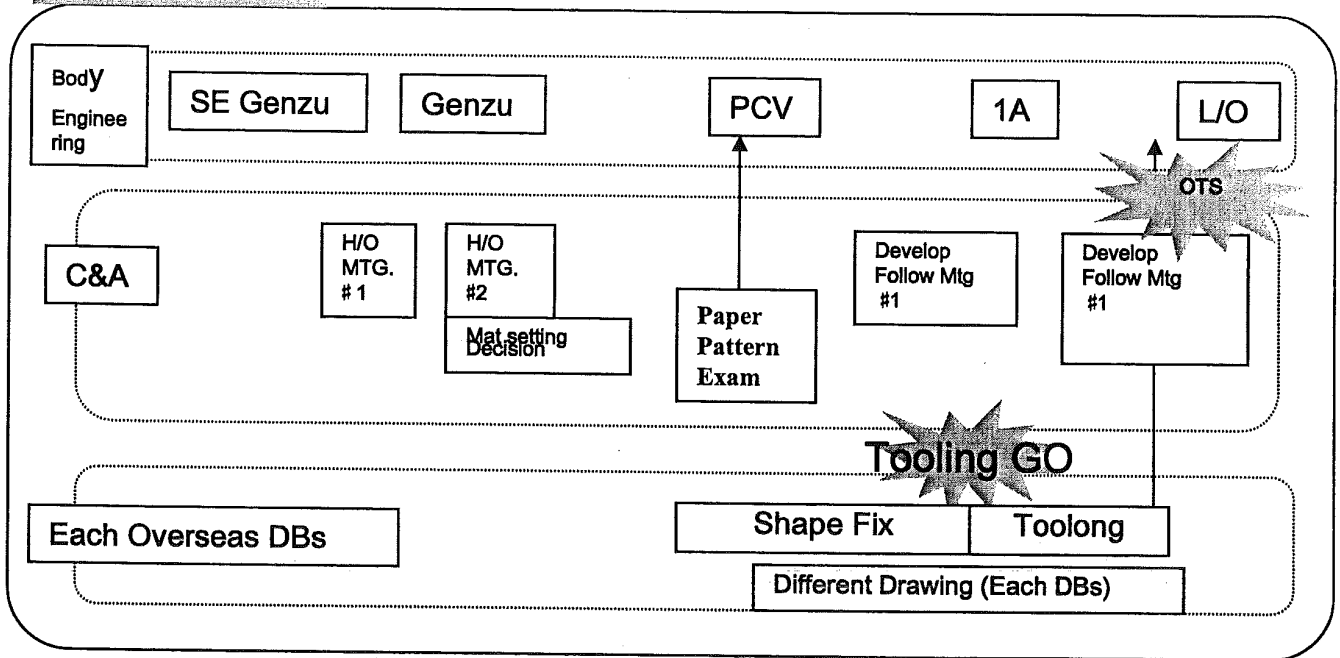
In the case of rubber mat and carpet mat are planned by the same car model, thickness of the carpet mat is equal to or less than 20mm

1. Correspondence of the Accessory mat

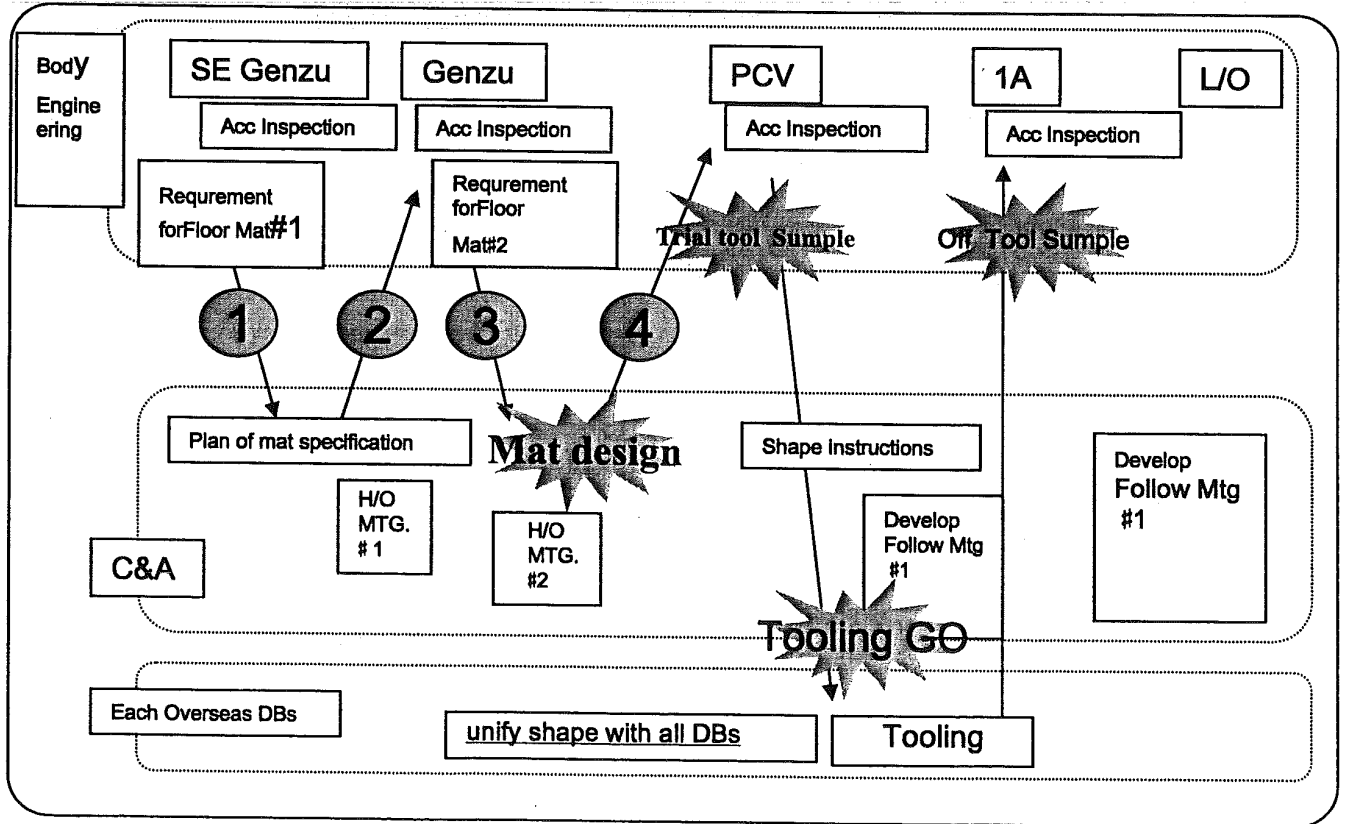
(2) How to advance

Body Engineering *C&A

Until Now



After



1

{Body Engineering}

- Mention the measure in an attached document in connection with an Interior design and send it to C&A.
- Bring the attached document at the time of Acc Inspection in SE Genzu.

2

{C&A}

- Mention the measure in an attached document and send it to Body Engineering.
- Bring the attached document at the time of Acc Inspection in Genzu.

3

{Body Engineering}

- Send approved contents to C&A at the time of Acc Inspection in Genzu.
- Bring the attached document at the time of Acc Inspection in PCV.

4

{C&A}

- Mention the measure in an attached document and send it to Body Engineering.
- Bring the attached document at the time of Acc Inspection in PCV.

* 611L ~ Curry out

2. Correspondence of Acc Pedal /Carpet

Bump A: Gap between the toe of Acc pedal and the carpet

More than 10mm

Angle B: Floor Carpet x locus of the Acc pedal (off-full)

Angle of 50 degrees or over

